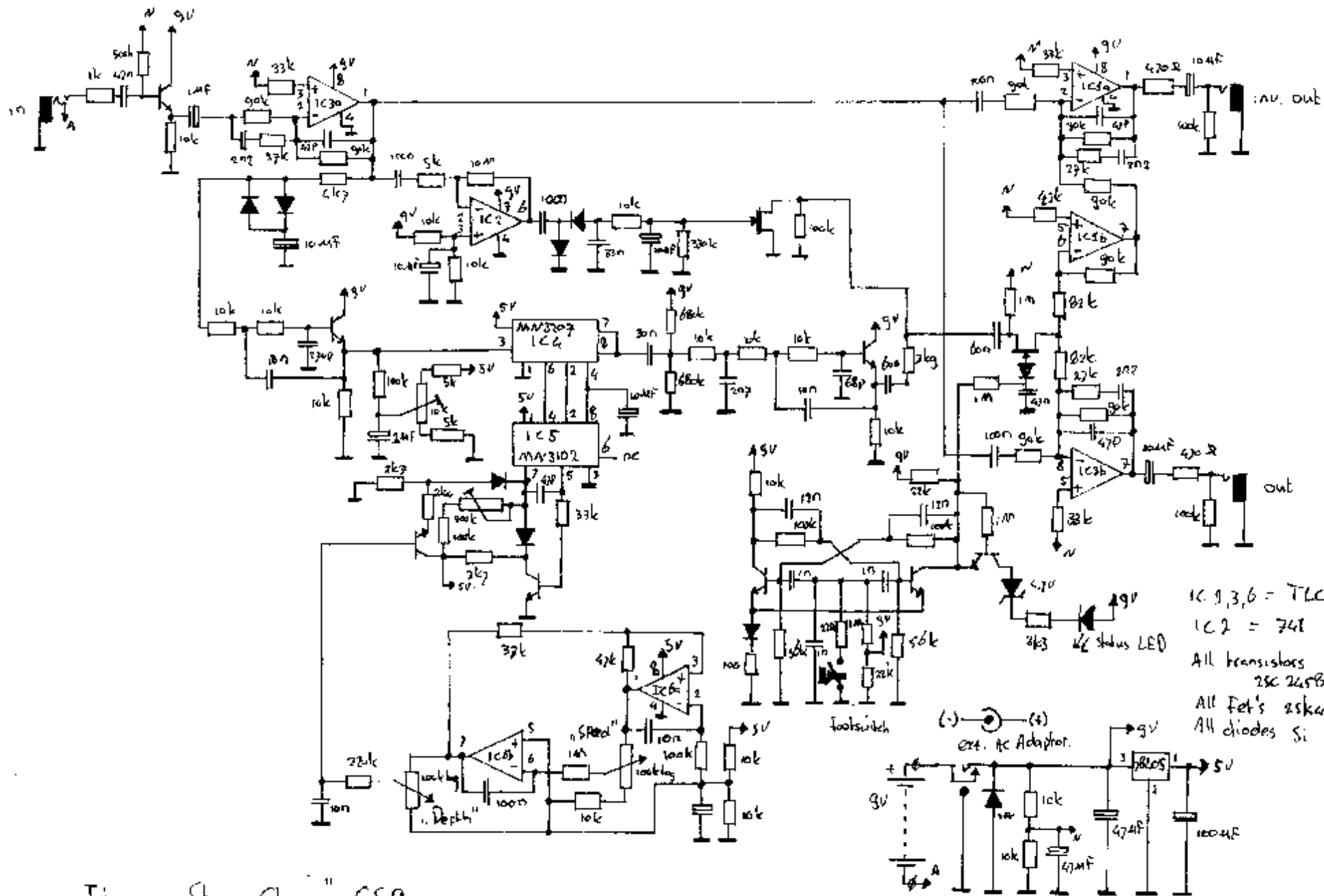


IC 1,3,6 = TLC22  
 IC 2 = 741  
 All transistors  
 2SC 245B  
 All Fet's 2SK40  
 All diodes Si

Ibanez "Stereo Chorus" CS9  
 26-8-'86



IC 1,3,6 = TLC22  
 IC 2 = 741  
 All transistors  
 2SC 245B  
 All Fet's 2SK40  
 All diodes Si

Ibanez "Stereo Chorus" CS9  
 26-8-'86

