

8

7

6

5

4

3

2

1

D

D

C

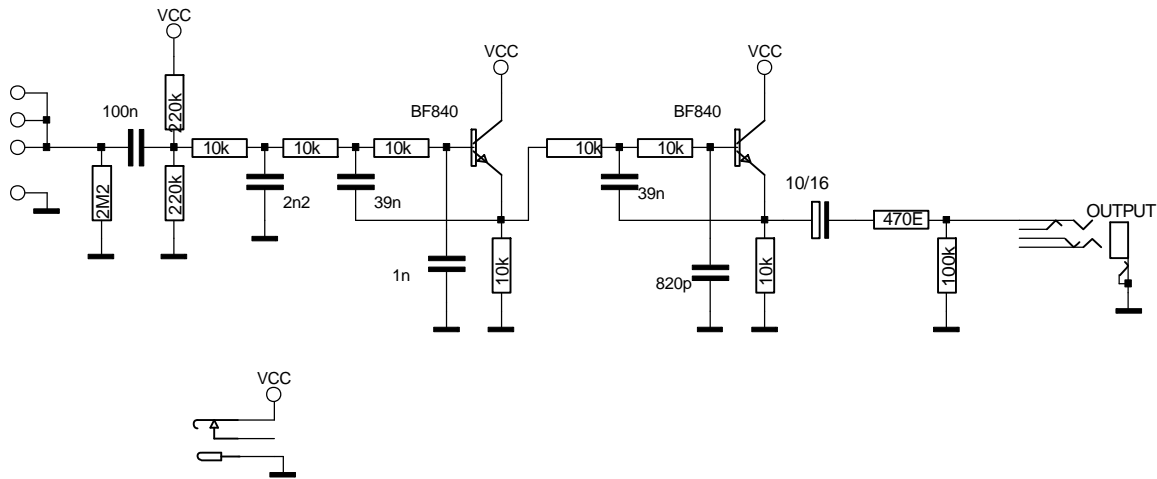
C

B

B

A

A



REV: P	DATE: 30 DECEMBER 2007	DRAWN: DIRK_HENDRIK	
PROJECT: BBD PROBE			
COMPANY:			
ADDRESS:			
CITY: AMSTERDAM			
COUNTRY: HOLLAND			
INITIAL	30 DECEMBER 2007	PAGE: 1	OF: 1

8

7

6

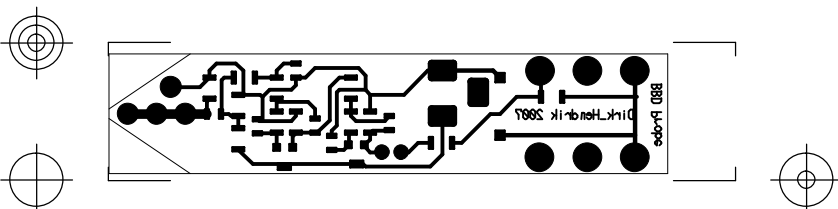
5

4

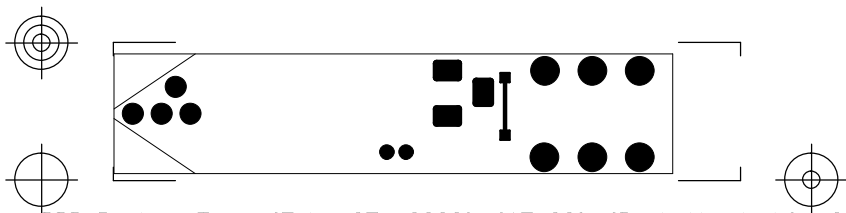
3

2

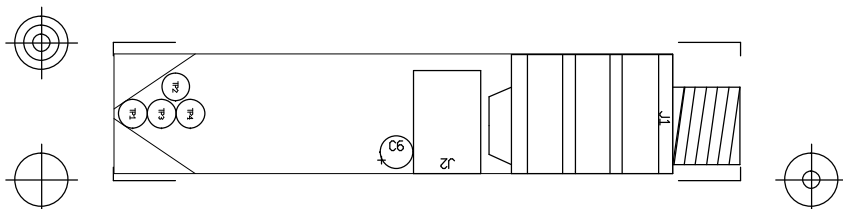
1



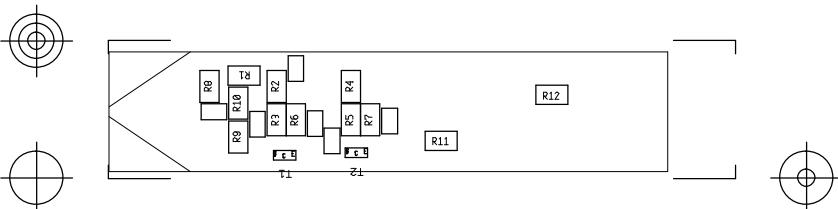
BBD Probe, Bottom (Feb. 07, 2008) (15:39) (Dirk_Hendrik) SCALE: 100%
Drill Ref Pnt: 0.000, 0.500 (inch)



BBD Probe, Top (Feb. 07, 2008) (15:39) (Dirk_Hendrik) SCALE: 100%
Drill Ref Pnt: 0.000, 0.500 (inch)



BBD Probe, Silkscreen (Feb. 07, 2008) (15:39) (Dirk_Hendrik) SCALE: 100%
Drill Ref Pnt: 0.000, 0.500 (inch)



BBD Probe, Silkscreen (Feb. 07, 2008) (15:39) (Dirk_Hendrik) SCALE: 100%
Drill Ref Pnt: 0.000, 0.500 (inch)